



Cayman

Color Output	CRI	CCT	Voltage	12vDC	24vDC
Single Color (Spot)	70-75	5000	10-30vDC	2.5A	1.1A
Dual Color (Flood)	70-75	5000	10-30vDC	2.0A	1.7A

Installation Instructions:

1. Select mounting location. Illumination areas will change based on the mounting height and light angle. Select a mounting height and location best suited to your particular needs.
2. Securely position and mount the light using the mounting template below. Note that there are several ways to mount the light. Choose a mounting method that is appropriate for your application. If the "fixed bracket" mounting method is desired, you will need to procure 4 – 316 Stainless Steel #10 screws and washers.
3. Establish the electrical connections per ABYC guidelines. Device is polarity sensitive. Ensure that gauge of the power wires and the fuse configuration are appropriate for the specific installation. For optimal performance and reliability, Lumitec recommends a completely sealed wire to wire connection, such as an adhesive-lined butt connector.

Note: Your CAYMAN light may become warm or hot to the touch during normal operation. This is not damaging to the light or to normal mounting surfaces but care should be taken to avoid injury. The light should not be installed in enclosed or confined spaces which restrict airflow to the light's cooling fins. Overheating may cause the light to partially dim in brightness. If this occurs the light should be turned off and allowed to cool fully. Ensure that the light has ample air circulation before turning the light back on.

Single Color Light Operation

Note that the light ramps in intensity over a period of about 3 seconds on startup. With no interruption of this ramp the light will achieve and maintain full intensity. To enable a "dimmed mode" simply interrupt the ramp in intensity with a brief off/on toggle of the power. This allows the intensity to be set anywhere from a soft glow to full power. The lights will reset to when off for more than 3 seconds.

Dual Color Light Operation

Note that the light ramps in intensity over a period of about 3 seconds on startup. With no interruption of this ramp the light will achieve and maintain full intensity. To enable a "dimmed mode" simply interrupt the ramp in intensity with a brief off/on toggle of the power. This allows the intensity to be set anywhere from a soft glow to full power. A subsequent off/on toggle will allow the light to change colors. The same process can be applied to the second color. The lights will reset to the white mode when off for more than 3 seconds.

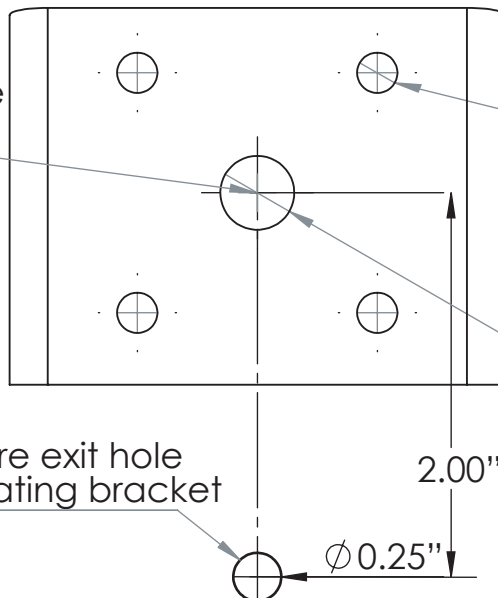
Limited Warranty

The product is warranted to be free from defects in workmanship and materials for a period of one year from the date of original purchase. Lumitec is not responsible for product failure caused by abuse, neglect, improper installation, or failure in applications other than those for which it was designed, intended, and marketed. Should your Lumitec product prove defective during the warranty period, promptly notify Lumitec and return product with freight prepaid. Lumitec will, at its option, repair or replace the product or defective portion without charge for parts or labor, or, at Lumitec's option, refund purchase price. Products repaired or replaced under this warranty shall be warranted for the unexpired portion of the warranty applying to the original product(s). No warranty or affirmation of fact, express or implied, other than as set forth in the limited warranty statement above is made or authorized by Lumitec, Inc. Any liability for consequential and incidental damages is expressly disclaimed. Lumitec liability in all events is limited to, and shall not exceed, the purchase price paid.

Lumitec, Inc. - 1405 Poinsettia Drive, Suite 10 - Delray Beach, FL 33444 - lumiteclighting.com



Suggested wire exit hole for fixed bracket use



(Optional Mounting)
Drill for #10 Screw (4x)
Use if bracket must be in a fixed position

3/8" Drill Size or 10mm for center mount
Use if bracket must rotate

Suggested wire exit hole location for rotating bracket