



## Maxllume 45 Watt LED Flood Light

### Note:

Lumitec Maxllume LED Flood Light should be installed by qualified persons only. Your Lumitec Maxllume LED Flood Light is fully sealed, and suitable for mounting in interior and exterior spaces. However they are not designed to be permanently mounted underwater. Light circuits should be protected with an appropriately sized fuse or circuit breaker. Each light draws approximately 3.7A @ 12VDC / 1.8A @ 24VDC. Fuses on circuits with multiple lights should be sized accordingly. Lights may get warm or hot to the touch during operation. This is normal and will not cause damage to typical mounting surfaces, including fiberglass and wood and fabrics. The lights should NOT be mounted on highly flammable substrates or mounting surfaces which are particularly sensitive to high temperatures.

### Mounting:

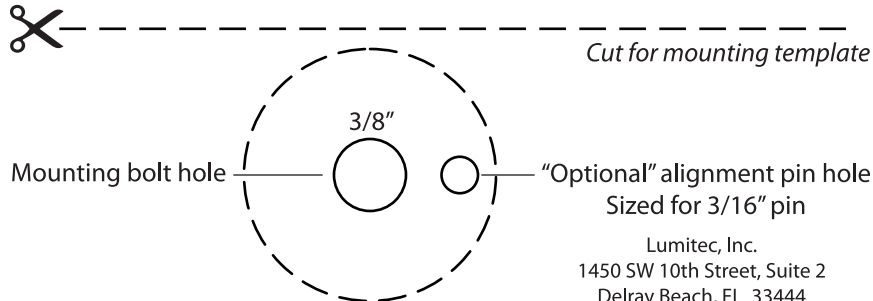
Use the template below to drill the appropriately sized holes for the light body and mounting screws. Drill mounting bolt hole slightly larger for 5/16 mounting bolt.  
 "Optional" Drill for rotational alignment pin use. If rotational alignment is not desired, skip this step.  
 "Optional" Use suggested wire exit hole location unless wire placement is desired elsewhere.  
 Connect the wires on the light to the vessel's DC power system. Device is polarity sensitive. The black wire should be connected to the vessel's (-) (or ground), and the white or red wire should be connected to the vessel's +12VDC or + 24VDC supply.

### Limited Warranty

The product is warranted to be free from defects in workmanship and materials for a period of one year from the date of original purchase.

Lumitec is not responsible for product failure caused by abuse, neglect, improper installation, or failure in applications other than those for which it was designed, intended, and marketed.

Should your Lumitec product prove defective during the warranty period, promptly notify Lumitec and return product with freight prepaid. Lumitec will, at its option, repair or replace the product or defective portion without charge for parts or labor, or, at Lumitec's option, refund purchase price. Products repaired or replaced under this warranty shall be warranted for the unexpired portion of the warranty applying to the original product(s). No warranty or affirmation of fact, express or implied, other than as set forth in the limited warranty statement above is made or authorized by Lumitec, Inc. Any liability for consequential and incidental damages is expressly disclaimed. Lumitec liability in all events is limited to, and shall not exceed, the purchase price paid.



part # 600029

Lumitec, Inc.  
 1450 SW 10th Street, Suite 2  
 Delray Beach, FL 33444  
 lumiteclighting.com



## Maxllume 45 Watt LED Flood Light

### Note:

Lumitec Maxllume LED Flood Light should be installed by qualified persons only. Your Lumitec Maxllume LED Flood Light is fully sealed, and suitable for mounting in interior and exterior spaces. However they are not designed to be permanently mounted underwater. Light circuits should be protected with an appropriately sized fuse or circuit breaker. Each light draws approximately 3.7A @ 12VDC / 1.8A @ 24VDC. Fuses on circuits with multiple lights should be sized accordingly. Lights may get warm or hot to the touch during operation. This is normal and will not cause damage to typical mounting surfaces, including fiberglass and wood and fabrics. The lights should NOT be mounted on highly flammable substrates or mounting surfaces which are particularly sensitive to high temperatures.

### Mounting:

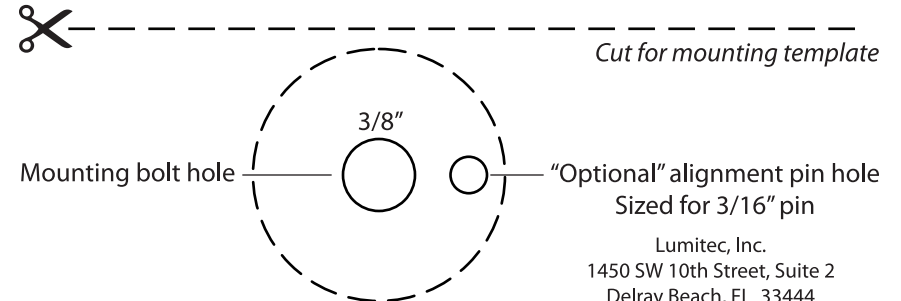
Use the template below to drill the appropriately sized holes for the light body and mounting screws. Drill mounting bolt hole slightly larger for 5/16 mounting bolt.  
 "Optional" Drill for rotational alignment pin use. If rotational alignment is not desired, skip this step.  
 "Optional" Use suggested wire exit hole location unless wire placement is desired elsewhere.  
 Connect the wires on the light to the vessel's DC power system. Device is polarity sensitive. The black wire should be connected to the vessel's (-) (or ground), and the white or red wire should be connected to the vessel's +12VDC or + 24VDC supply.

### Limited Warranty

The product is warranted to be free from defects in workmanship and materials for a period of one year from the date of original purchase.

Lumitec is not responsible for product failure caused by abuse, neglect, improper installation, or failure in applications other than those for which it was designed, intended, and marketed.

Should your Lumitec product prove defective during the warranty period, promptly notify Lumitec and return product with freight prepaid. Lumitec will, at its option, repair or replace the product or defective portion without charge for parts or labor, or, at Lumitec's option, refund purchase price. Products repaired or replaced under this warranty shall be warranted for the unexpired portion of the warranty applying to the original product(s). No warranty or affirmation of fact, express or implied, other than as set forth in the limited warranty statement above is made or authorized by Lumitec, Inc. Any liability for consequential and incidental damages is expressly disclaimed. Lumitec liability in all events is limited to, and shall not exceed, the purchase price paid.



part # 600029

Lumitec, Inc.  
 1450 SW 10th Street, Suite 2  
 Delray Beach, FL 33444  
 lumiteclighting.com