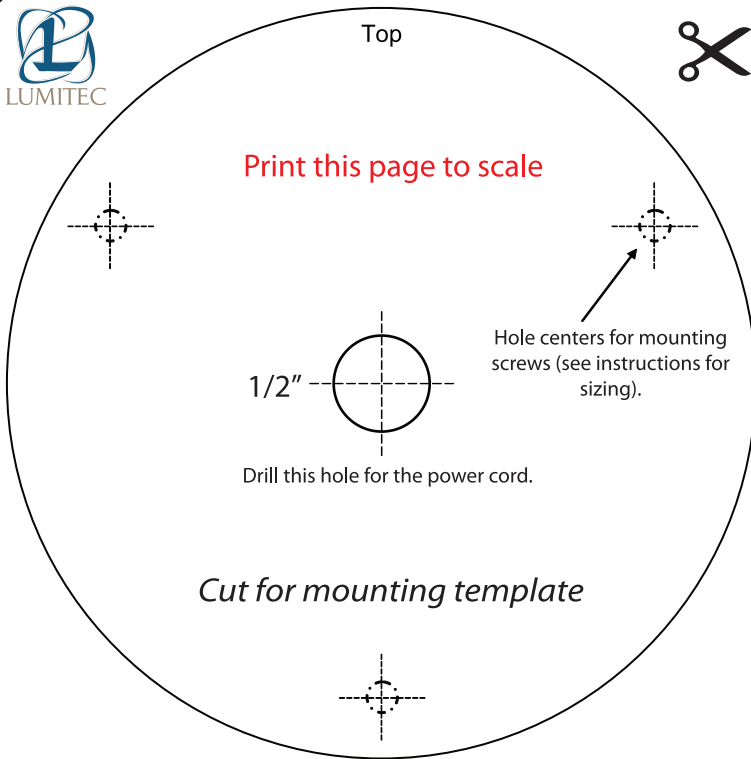




SeaBlaze2 Installation Instructions



Note:
SeaBlaze lights MUST be run on a fuse or circuit breaker protected (5A max.) circuit.

SeaBlaze lights are not recommended for mounting on running surfaces (e.g., the bottom surface of a hull).

SeaBlaze lights are NOT recommended for above-water applications. If the SeaBlaze light is to be painted with anti-fouling paint, the paint used MUST be compatible with aluminum substrates, for example Trilux 33.

Anti-fouling paints which do not explicitly state that they are safe for aluminum substrates can be very damaging to the SeaBlaze light, and should not be used on surfaces within 1" of the SeaBlaze light.

Once installed SeaBlaze lights should be routinely inspected to ensure that all connections, fasteners, and seals are intact.

Included:

(1)SeaBlaze light with 5' power cord (3)Insulating mounting bushings (3)#10 stainless steel mounting screws (1)Mounting template

Mounting Location:

Determine where your SeaBlaze light(s) will be mounted. Mounting surfaces should be flat, clean, dry, and free of any existing hardware or holes. Before mounting ensure that the light will not interfere with the trim/tilt of engines, turning of rudders, operation of trim tabs, etc. Ideal mounting locations include transoms, the side and back surfaces of engine brackets, and the undersides of dive platforms.

For maximum performance SeaBlaze lights should be mounted 8" to 12" below the waterline. Do not mount SeaBlaze lights at a depth greater than 24" below the waterline.

See back for continued instructions

Limited Warranty

The product is warranted to be free from defects in workmanship and materials for a period of one year from the date of original purchase.

Lumitec is not responsible for product failure caused by abuse, neglect, improper installation, or failure in applications other than those for which it was designed, intended, and marketed.

Note that some surface corrosion is expected when bare metals are used in a marine environment. Corrosion of any metal will be especially aggressive if installation is improper, if bonding is improper or if stray currents are active in the vicinity of the boat. Lumitec shall not be liable for defects related to such corrosion.

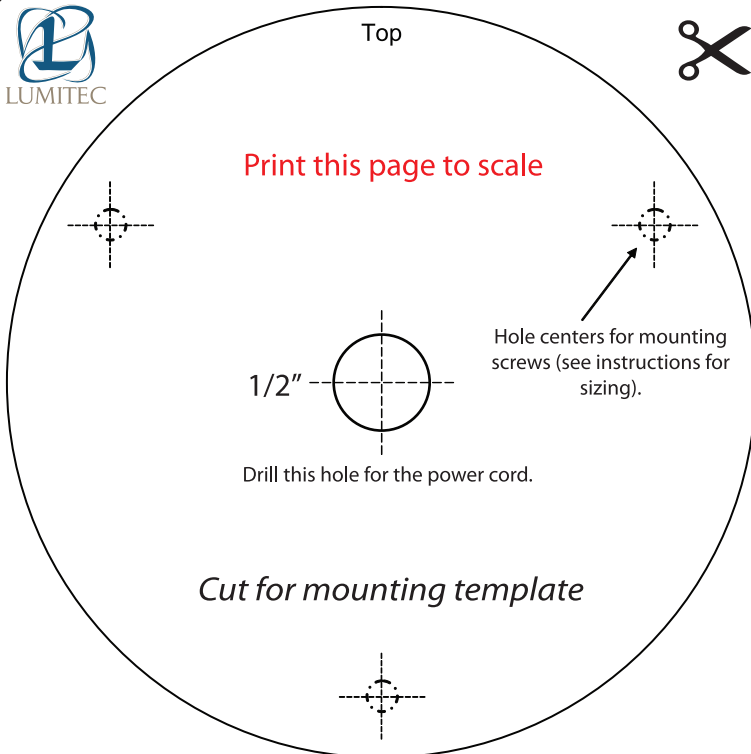
Should your Lumitec product prove defective during the warranty period, promptly notify Lumitec, and return product, freight prepaid. Lumitec will, at its option, repair or replace the product or defective portion without charge for parts or labor, or, at Lumitec, Inc.'s option, refund purchase price. Products repaired or replaced under this warranty shall be warranted for the unexpired portion of the warranty applying to the original product(s). No warranty or affirmation of fact, express or implied, other than as set forth in the limited warranty statement above is made or authorized by Lumitec, Inc. Any liability for consequential and incidental damages is expressly disclaimed. Lumitec liability in all events is limited to, and shall not exceed, the purchase price paid.

Lumitec, Inc. - 1450 SW 10th Street, Suite 2 - Delray Beach, FL 3344

part # 600023



SeaBlaze2 Installation Instructions



Note:
SeaBlaze lights MUST be run on a fuse or circuit breaker protected (5A max.) circuit.

SeaBlaze lights are not recommended for mounting on running surfaces (e.g., the bottom surface of a hull).

SeaBlaze lights are NOT recommended for above-water applications. If the SeaBlaze light is to be painted with anti-fouling paint, the paint used MUST be compatible with aluminum substrates, for example Trilux 33.

Anti-fouling paints which do not explicitly state that they are safe for aluminum substrates can be very damaging to the SeaBlaze light, and should not be used on surfaces within 1" of the SeaBlaze light.

Once installed SeaBlaze lights should be routinely inspected to ensure that all connections, fasteners, and seals are intact.

Included:

(1)SeaBlaze light with 5' power cord (3)Insulating mounting bushings (3)#10 stainless steel mounting screws (1)Mounting template

Mounting Location:

Determine where your SeaBlaze light(s) will be mounted. Mounting surfaces should be flat, clean, dry, and free of any existing hardware or holes. Before mounting ensure that the light will not interfere with the trim/tilt of engines, turning of rudders, operation of trim tabs, etc. Ideal mounting locations include transoms, the side and back surfaces of engine brackets, and the undersides of dive platforms.

For maximum performance SeaBlaze lights should be mounted 8" to 12" below the waterline. Do not mount SeaBlaze lights at a depth greater than 24" below the waterline.

See back for continued instructions

Limited Warranty

The product is warranted to be free from defects in workmanship and materials for a period of one year from the date of original purchase.

Lumitec is not responsible for product failure caused by abuse, neglect, improper installation, or failure in applications other than those for which it was designed, intended, and marketed.

Note that some surface corrosion is expected when bare metals are used in a marine environment. Corrosion of any metal will be especially aggressive if installation is improper, if bonding is improper or if stray currents are active in the vicinity of the boat. Lumitec shall not be liable for defects related to such corrosion.

Should your Lumitec product prove defective during the warranty period, promptly notify Lumitec, and return product, freight prepaid. Lumitec will, at its option, repair or replace the product or defective portion without charge for parts or labor, or, at Lumitec, Inc.'s option, refund purchase price. Products repaired or replaced under this warranty shall be warranted for the unexpired portion of the warranty applying to the original product(s). No warranty or affirmation of fact, express or implied, other than as set forth in the limited warranty statement above is made or authorized by Lumitec, Inc. Any liability for consequential and incidental damages is expressly disclaimed. Lumitec liability in all events is limited to, and shall not exceed, the purchase price paid.

Lumitec, Inc. - 1450 SW 10th Street, Suite 2 - Delray Beach, FL 3344

part # 600023

SeaBlaze2 Installation Instructions Continued

Mounting your SeaBlaze light:

- Tape the attached mounting template in the desired mounting location. Drill holes for the mounting screws and wire boss as indicated on the mounting template. The diameter of the hole required for the mounting screws will depend largely on the composition and thickness of the mounting surface. Test the size of the mounting hole prior to installation. When drilling fiberglass, slightly countersinking the hole using a 3-fluke countersink bit will reduce gelcoat chipping.
 - Thoroughly coat the back surface of the SeaBlaze light with a marine-grade sealant designed for below-waterline applications. 5200 is NOT recommended. We do recommend 4200. Dab additional sealant on the holes in the mounting surface, forcing some sealant into the holes. Extreme care should be taken to properly seal the through-hull (wire) hole to prevent water intrusion.
 - Place a plastic insulating sleeve and a mounting screw (both provided) in each of the (3) mounting holes in the SeaBlaze main body. Press the SeaBlaze firmly into place to bed it in the sealant. It may be necessary to pull the cord slightly from inside the boat to help it feed through the hole. Tighten the mounting screws evenly. Sealant should be forced from all sides as the light is tightened down. Allow the sealant to cure thoroughly per the manufacturer's instructions prior to returning the vessel to the water. Apply additional sealant in the inside of the hull to prevent water intrusion around the wire.
- Note: Any time a hole is bored into a vessel's hull (for example mounting screws for transducers, dive platforms, through-hull fittings, etc.), the possibility of water intrusion into the hull or completely into the vessel exists. Water intrusion may result in significant structural damage to a vessel or the vessel sinking. If the power cord is routed through the mounting surface considerable care should be taken to ensure that the through-hull hole is thoroughly sealed on both sides of the hull. Additionally, the back (inside) surface where the wire exits the through-hull hole should be carefully sealed.

Lumitec, Inc. assumes no responsibility whatsoever for any damage, loss, or injury that may result from the incorrect installation of this product, including but not limited to the vessel sinking, structural damage due to water intrusion, electrical malfunction, etc.



Cut for mounting template

part # 600023

SeaBlaze2 Installation Instructions Continued

Mounting your SeaBlaze light:

- Tape the attached mounting template in the desired mounting location. Drill holes for the mounting screws and wire boss as indicated on the mounting template. The diameter of the hole required for the mounting screws will depend largely on the composition and thickness of the mounting surface. Test the size of the mounting hole prior to installation. When drilling fiberglass, slightly countersinking the hole using a 3-fluke countersink bit will reduce gelcoat chipping.
 - Thoroughly coat the back surface of the SeaBlaze light with a marine-grade sealant designed for below-waterline applications. 5200 is NOT recommended. We do recommend 4200. Dab additional sealant on the holes in the mounting surface, forcing some sealant into the holes. Extreme care should be taken to properly seal the through-hull (wire) hole to prevent water intrusion.
 - Place a plastic insulating sleeve and a mounting screw (both provided) in each of the (3) mounting holes in the SeaBlaze main body. Press the SeaBlaze firmly into place to bed it in the sealant. It may be necessary to pull the cord slightly from inside the boat to help it feed through the hole. Tighten the mounting screws evenly. Sealant should be forced from all sides as the light is tightened down. Allow the sealant to cure thoroughly per the manufacturer's instructions prior to returning the vessel to the water. Apply additional sealant in the inside of the hull to prevent water intrusion around the wire.
- Note: Any time a hole is bored into a vessel's hull (for example mounting screws for transducers, dive platforms, through-hull fittings, etc.), the possibility of water intrusion into the hull or completely into the vessel exists. Water intrusion may result in significant structural damage to a vessel or the vessel sinking. If the power cord is routed through the mounting surface considerable care should be taken to ensure that the through-hull hole is thoroughly sealed on both sides of the hull. Additionally, the back (inside) surface where the wire exits the through-hull hole should be carefully sealed.

Lumitec, Inc. assumes no responsibility whatsoever for any damage, loss, or injury that may result from the incorrect installation of this product, including but not limited to the vessel sinking, structural damage due to water intrusion, electrical malfunction, etc.



Cut for mounting template

part # 600023