



**LUMITEC**  
EXTREME ENVIRONMENT LIGHTING

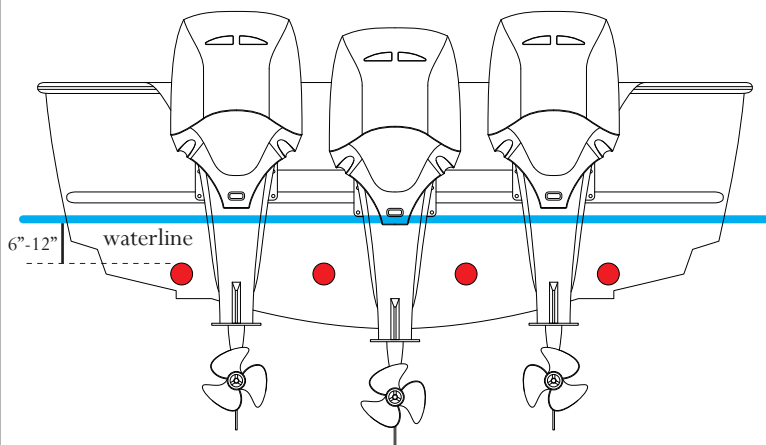
## Underwater Lights

Suggested number of lights for use with your vessel

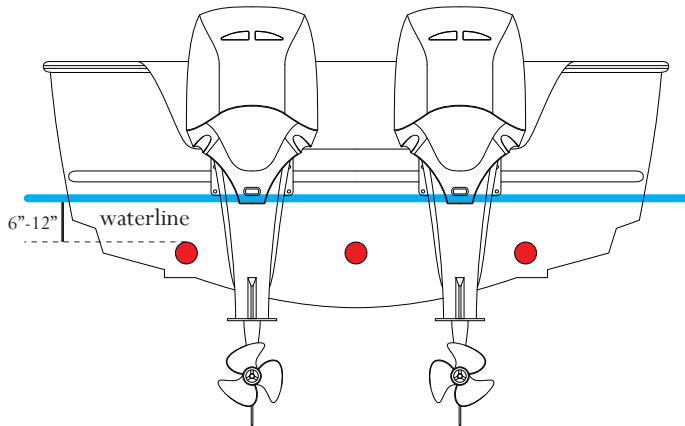
- All lights should be mounted 6 to 12 inches below the waterline for maximum performance -
- Lights should not be mounted deeper than 24 inches below the waterline -

### Outboard Equipped Vessels

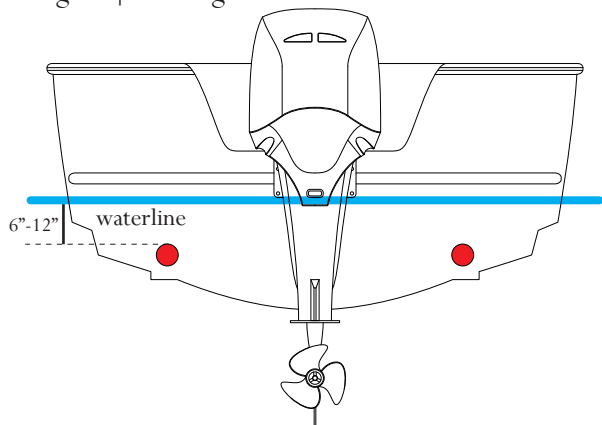
Three Engines | Four Lights



Two Engines | Three Lights

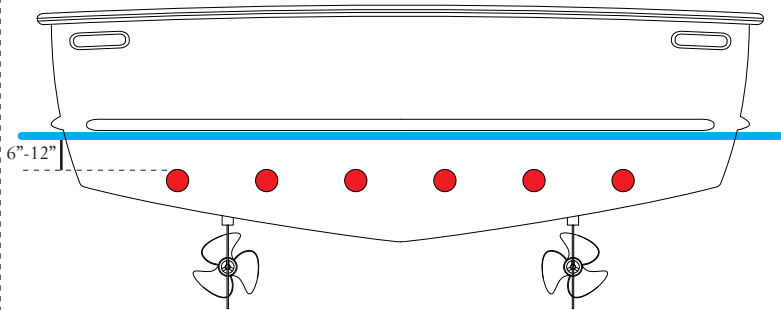


One Engine | Two Lights

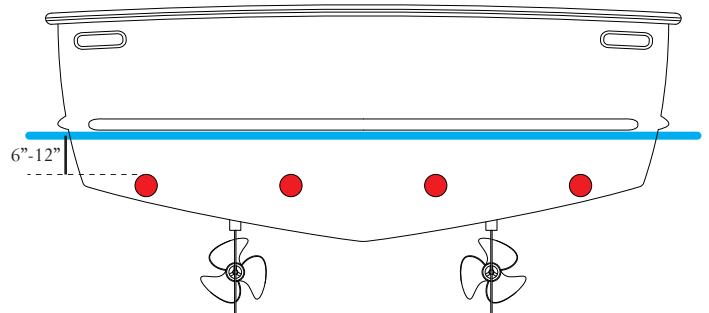


### Inboard Equipped Vessels

16 + Feet | 4 - 8 Lights



12 - 15 Feet | 3 - 6 Lights



8 - 11 Feet | 2 - 4 Lights

